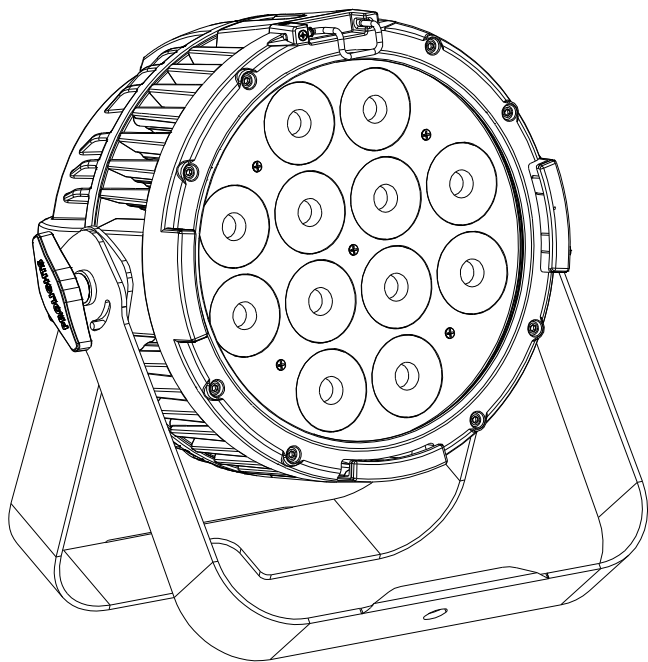


TRIBE®

LUMIPAR12IP

SUPER-SLIM PARLED



USER MANUAL
MANUALE UTENTE

All rights reserved by Music & Lights S.r.l. No part of this instruction manual may be reproduced in any form or by any means for any commercial use.

In order to improve the quality of products, Music&Lights S.r.l. reserves the right to modify the characteristics stated in this instruction manual at any time and without prior notice.
All revisions and updates are available in the 'manuals' section on site www.musiclights.it

TABLE OF CONTENTS

Safety

General instructions	2
Warnings and installation precautions	2

1 Introduction

1.1 Description	3
1.2 Technical specifications	3
1.3 Operating elements and connections	5

2 Installation

2.1 Mounting	6
--------------------	---

3 Functions and settings

3.1 Operation	7
3.2 Basic	7
3.3 Menu structure	8
3.4 DMX Mode	9
3.5 DMX configuration	9
3.6 Linking	9
3.7 DMX Addressing	9
3.8 Settings	10
Screen	10
3.9 Fixture Settings	10
Dimmer	10
White Calibration	11
LED Frequency	11
Factory Reload	11
3.10 Fixture Information	11
3.11 Operations in automatic mode	11
Master/Slave	11
Effects	11
Static Mode	12
3.12 Connection of the DMX line	13
3.13 Construction of the DMX termination	13
3.14 DMX control	14

4 Maintenance

4.1 Maintenance and cleaning the unit	15
4.2 Fuse replacement	15
4.3 Troubleshooting	15

Packing content

- LUMIPAR12IP
 - Mount bracket
 - Power cable
 - User manual
-




WARNING! Before carrying out any operations with the unit, carefully read this instruction manual and keep it with care for future reference. It contains important information about the installation, usage and maintenance of the unit.



SAFETY

General instruction

- The products referred to in this manual conform to the European Community Directives and are therefore marked with **CE**.
- The unit is supplied with hazardous network voltage (230V~). Leave servicing to skilled personnel only. Never make any modifications on the unit not described in this instruction manual, otherwise you will risk an electric shock.
- Connection must be made to a power supply system fitted with efficient earthing (Class I appliance according to standard EN 60598-1). It is, moreover, recommended to protect the supply lines of the units from indirect contact and/or shorting to earth by using appropriately sized residual current devices.
- The connection to the main network of electric distribution must be carried out by a qualified electrical installer. Check that the main frequency and voltage correspond to those for which the unit is designed as given on the electrical data label.
- This unit is not for home use, only professional applications.
- Never use the fixture under the following conditions:
 - in places subject to vibrations or bumps;
 - in places with a temperature of over 45 °C.
- Make certain that no inflammable liquids, water or metal objects enter the fixture.
- Do not dismantle or modify the fixture.
- All work must always be carried out by qualified technical personnel. Contact the nearest sales point for an inspection or contact the manufacturer directly.
- If the unit is to be put out of operation definitively, take it to a local recycling  plant for a disposal which is not harmful to the environment.

Warnings and installation precautions

- If this device will be operated in any way different to the one described in this manual, it may suffer damage and the guarantee becomes void. Furthermore, any other operation may lead to dangers like short circuit, burns, electric shock, etc.
- Before starting any maintenance work or cleaning the projector, cut off power from the main supply.
- Always additionally secure the projector with the safety rope. When carrying out any work, always comply scrupulously with all the regulations (particularly regarding safety) currently in force in the country in which the fixture's being used.
- Install the fixture in a well ventilated place.
- Keep any inflammable material at a safe distance from the fixture.
- Shields, lenses or ultraviolet screens shall be changed if they have become damaged to such an extent that their effectiveness is impaired.
- The lamp (LED) shall be changed if it has become damaged or thermally deformed.
- Never look directly at the light beam. Please note that fast changes in lighting, e. g. flashing light, may trigger epileptic seizures in photosensitive persons or persons with epilepsy.
- Do not touch the product's housing when operating because it may be very hot.
- This product was designed and built strictly for the use indicated in this documentation. Any other use, not expressly indicated here, could compromise the good condition/operation of the product and/or be a source of danger.
- We decline any liability deriving from improper use of the product.

- 1 - INTRODUCTION

1.1 DESCRIPTION

LUMIPAR12IP is a bright and flexible IP LED PAR Can made for concerts, theatres and to perform as an architectural accent light for outdoor events. The housing in die-cast aluminium is designed to feature both as a robust workhorse and being totally fan-free allows for total silence during operation.

1.2 TECHNICAL SPECIFICATIONS

LIGHT SOURCE

- Source: 12x9W RGBW LEDs
- Luminous flux: (D20) 3900 lm (D45) 6700lm
- Lux: (20°) 2535lux @3m full
- Lux: (45°) 1154lux @3m full
- Source life expectancy: >50.000 h

OPTICS

- Beam angle: Available in 20° or 45°
- Field angle: 36° or 60°

COLOUR SYSTEM

- Colour mixing: RGBW/FC
- White presets: 3000~10000K
- Colour wheel: virtual colour wheel with presets
- Macros: built-in white presets

DYNAMIC EFFECTS

- Static colour mode: selection of static colour
- Manual colour mode: manual adjustment of colour
- Auto mode: built-in programs with execution speed adjustment

BODY

- Body: sturdy die-cast aluminium body conceived for long-time durability
- Body colour: black

CONTROL

- Protocols: DMX512
- DMX channels: 4/6/11channel
- Display: black OLED touch display
- Firmware upgrade: yes, via USB-DMX interface (UPBOX1) not included
- Master/Slave: for synchronized operation of more units linked in a chain

ELECTRONICS

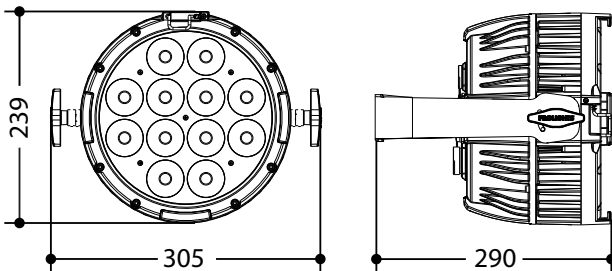
- Dimmer: linear 0~100% electronic dimmer
- Dimmer curves: 4 different dimming curves available
- Strobe / shutter: 0-30 Hz, electronic
- Operating temperature: -20° ~ +45°
- Flicker: flicker free operation
- Selectable PWM: 600~25K Hz

ELECTRICAL

- Power supply: 100-240V – 50/60Hz
- Power consumption (at 230V): 110W
- Power consumption (at 120V): 110W
- Output (at 230V): 33 units on a single power line
- Output (at 120V): 18 units on a single power line

PHYSICAL

- Cooling: natural cooling of the peculiar chassis and to absence of fans
- Sospension and fixing: double hanging bracket suitable for safe hanging and for floor positioning
- Signal connection: Seetronic XLR 5p IN/OUT connectors
- Power connection: Seetronic powerCON waterproof IN/OUT connectors
- IP rating: 65 for outdoor installations
- Dimensions (WxHxD): 305x326x177mm
- Weight: 6.2kg

*Technical drawing**Fig.1*

1.3 OPERATING ELEMENTS AND CONNECTIONS

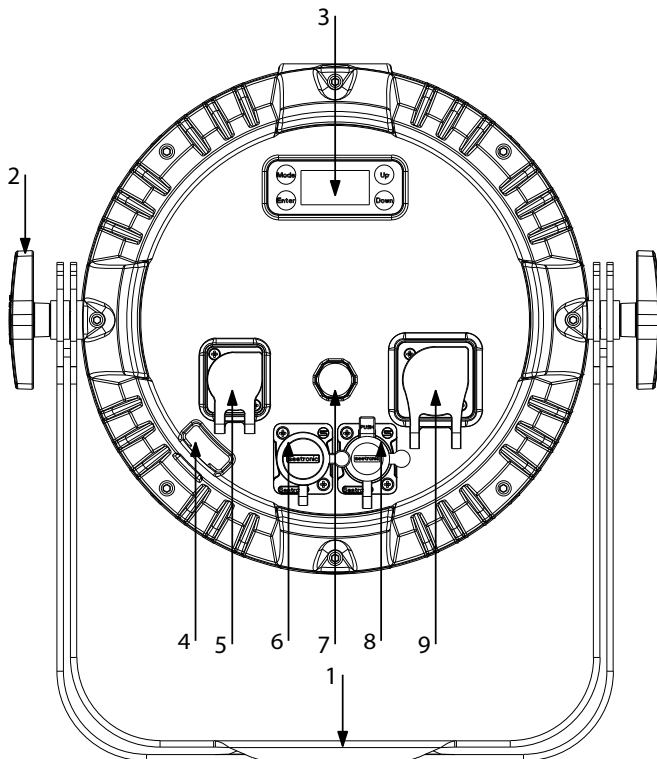


Fig.2 - Rear panel

1. MOUNTING BRACKET.
2. LOCKING KNOB for the mounting bracket.
3. CONTROL PANEL with display and 4 button used to access the control panel functions and manage them.
4. SAFETY EYE to attach safety cable.
5. POWER IN (PowerCON IN): for connection to a socket (100-240V~/50-60Hz) via the supplied mains cable.
6. DMX IN (5-pole XLR): 1 = ground, 2 = DMX-, 3 = DMX+, 4 N/C, 5 N/C.
7. GND POINT grounding the fixture to the earth.
8. DMX OUT (5-pole XLR): 1 = ground, 2 = DMX-, 3 = DMX+, 4 N/C, 5 N/C.
9. POWER OUT: connect to supply power to the next unit.

- 2 - INSTALLATION

2.1 MOUNTING

LUMIPAR12IP may be set up on a solid and even surface. The unit can also be mounted upside down to a cross arm. For fixing, stable mounting clips are required. The mounting place must be of sufficient stability and be able to support a weight of 10 times of the unit's weight.

When carrying out any installation, always comply scrupulously with all the regulations (particularly regarding safety) currently in force in the country in which the fixture's being used.

- Install the projector at a suitable location by means of the mounting bracket (1).
- Always additionally secure the projector with the safety rope from falling down. For this purpose, fasten the safety rope at a suitable position so that the maximum fall of the projector will be 20 cm.
- Adjust the projector and use the knob (2) to slightly release or tighten the locking mechanism of the bracket if is necessary.

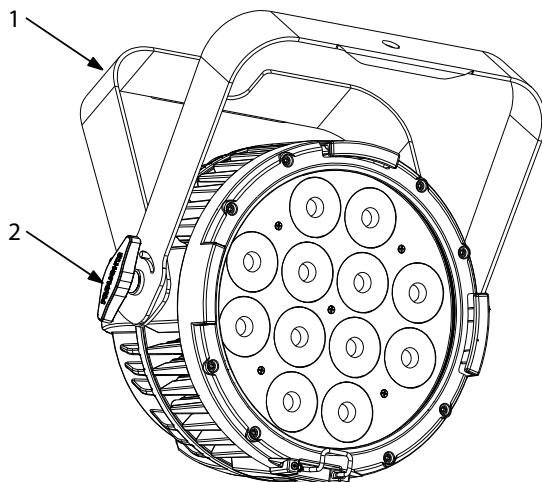


Fig.3

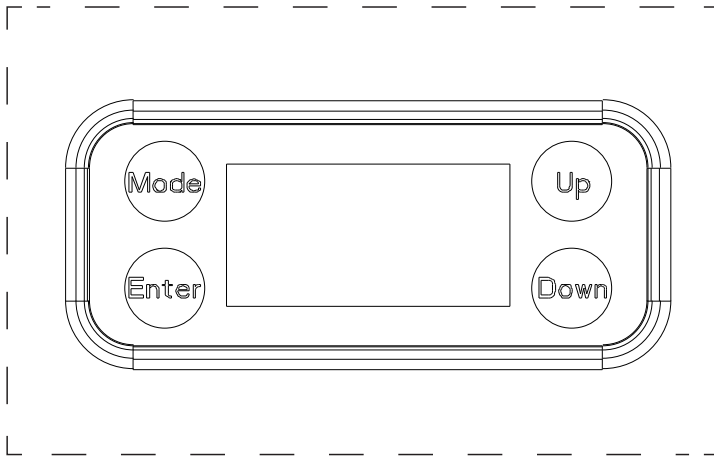
- 3 - FUNCTIONS AND SETTINGS

3.1 OPERATION

Connect the supplied main cable to a socket (100-240 VAC-50/60 Hz). Then the unit is ready for operation and can be operated via a DMX controller or it independently performs its show program in succession. To switch off, disconnect the mains plug from the socket. For a more convenient operation it is recommended to connect the unit to a socket which can be switched on and off via a light switch.

3.2 BASIC

Access control panel functions using the four panel buttons located directly underneath the LED Display (fig.4).



MENU	UP	DOWN	ENTER
Used to access the menu or to return a previous menu option	Navigates downwards through the menu list and increases the numeric value when in a function	Navigates upwards through the menu list and decreases the numeric value when in a function	Used to select and store the current menu or confirm the current function value or option within a menu

Fig.4 - Functions of the buttons

3.3 MENU STRUCTURE

MENU	
1	CONNECT <ul style="list-style-type: none"> ⇒ DMX Address ⇒ Value (001-512) DMX Mode ⇒ EASY - 4CH ⇒ BASIC - 6CH ⇒ STANDARD - 11CH
2	SETUP <ul style="list-style-type: none"> ⇒ Screen ⇒ Back Light ⇒ On ⇒ 10S ⇒ 20S ⇒ 30S ⇒ NO-Yes ⇒ Key Lock ⇒
3	ADVANCED <ul style="list-style-type: none"> ⇒ Dimmer Mode ⇒ Off ⇒ Dimmer 1 ⇒ Dimmer 2 ⇒ Dimmer 3 White Balance ⇒ Off ⇒ Adjust Red <125-255> Green <125-255> Blue <125-255> White <125-255> Led Frequency ⇒ 600Hz ⇒ 1200 Hz ⇒ 2000 Hz ⇒ 4000 Hz ⇒ 6000Hz ⇒ 25kHz Factory Reload ⇒ NO-Yes
4	INFORMATION <ul style="list-style-type: none"> ⇒ Fixture Time ⇒ 0-9999 Version ⇒ V1.0
4	STAND ALONE <ul style="list-style-type: none"> ⇒ Maser/Slave ⇒ Effects ⇒ Effect1 ⇒ Effect5 ⇒ Static ⇒ Fixed Color ⇒ R G B W GB RB RG RGB RW GW BW RGW RBW GBW RGBW

⇒ White preset	⇒ 3000K 4000K 5000K 6000K 7000K 8000K 9000K 10000K
⇒ Manual Color	⇒ Red <000-255> Green <000-255> Blue <000-255> White <000-255>

3.4 DMX MODE

- Press the button MENU so many times until the display shows **DMX ADDRESS**, and press the button ENTER to confirm.
- Press UP/DOWN button to select the desired value (**001-512**). Press and hold to scroll quickly.
- Press ENTER button to store.
- Press the MENU button to go back or to meet the waiting time to exit the setup menu.

To able to operate the LUMIPAR12IP with a light controller, adjust the DMX start address for the first a DMX channel. If e. g. address 33 on the controller is provided for controlling the function of the first DMX channel, adjust the start address 33 on the LUMIPAR12IP. The other functions of the light effect panel are then automatically assigned to the following addresses.

An example with the start address 33 is shown below:

3.5 DMX CONFIGURATION

LUMIPAR12IP is equipped with different DMX configuration.

- Press the button MENU so many times until shows **DMX CHANNEL**, and press the button ENTER to confirm.
- Select the desired DMX configuration (**Easy 4CH - Basic 6CH - Standard 11CH**) through the buttons UP/DOWN. The tables on page 14 indicate the operating mode and DMX value.

3.6 LINKING

Several units may be interconnected in order to control all further slave units to the same effect of the master unit. Use standard DMX cables to daisy chain your units together via the DMX connector on the rear of the units. For longer cable runs we suggest a terminator at the last fixture (see page 12).

1. Connect the DMX OUT of the master unit via 5 - pole XLR cable to the DMX IN of the first slave unit.
2. Connect the DMX OUT of the first slave unit to the DMX IN of the second slave unit, etc. until all units are connected in a chain.

3.7 DMX ADDRESSING

To able to operate the LUMIPAR12IP with a light controller, adjust the DMX start address for the first a DMX channel. If e. g. address 33 on the controller is provided for controlling the function of the first DMX channel, adjust the start address 33 on the LUMIPAR12IP.

The other functions of the light effect panel are then automatically assigned to the following addresses. An example with the start address 33 is shown below:

Number of DMX channels	Start address (example)	DMX Address occupied	Next possible start address for unit No. 1	Next possible start address for unit No. 2	Next possible start address for unit No. 3
6	33	33-38	39	45	51
11	33	33-41	44	55	66

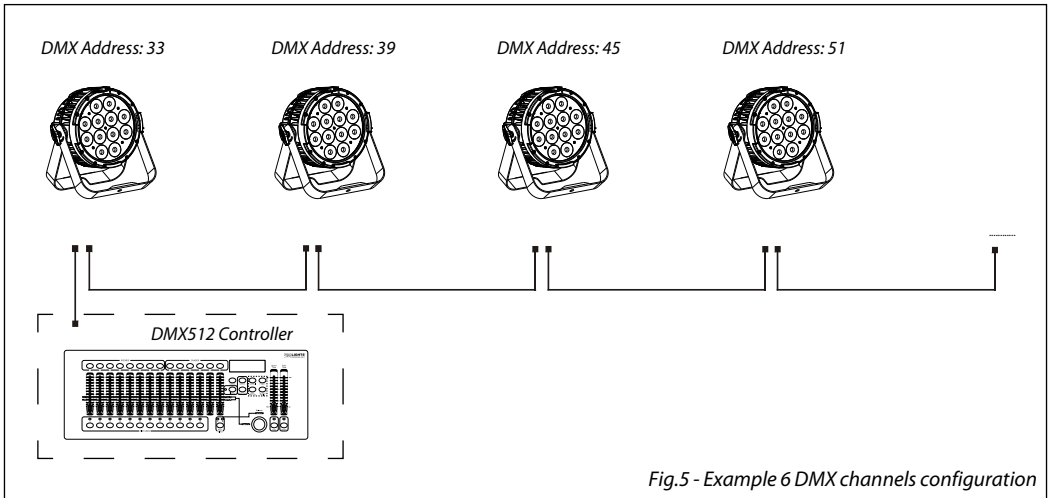


Fig.5 - Example 6 DMX channels configuration

3.8 SETTINGS

You can change the parameters for the device by following these steps:

SCREEN

You can change the following parameters related to the display, following the same procedure:

- Press the ENTER button to access the main menu.
- Press the UP / DOWN keys to scroll the menu, select the **Set Up** icon, then press the ENTER button to enter the next menu.
- Press UP / DOWN to scroll through the menu, then select **Screen**, and press the ENTER button to enter the next menu.
- Press UP / DOWN to scroll through the menu, and then select one of the following settings for the display and press the ENTER key to display it.
 - **Back Light** - Backlight display Auto Off. This feature allows you to automatically turn off the backlight after a specified time that you can set using the arrow buttons. To have the display always on select **Always On** or choose another value to turn off the display after the amount of time you choose.
 - **Key Lock** - Lock keys. With this function, you can lock the buttons on the control panel. If this function is activated, the keys are automatically locked. To disable or temporarily disable the key lock function, press the buttons in the following order to regain access to menu commands: UP, DOWN, UP, DOWN, ENTER. Select **YES** to activate or **NO** to disable.
- Press the ENTER button to confirm your choice.
- Press the LEFT button repeatedly to exit the menu and save changes.

3.9 FIXTURE SETTINGS

It is possible to change the parameter value in the following way:

DIMMER

- Enter in Dimmer mode to select specific dimming curve, press the button MENU so many times until shows **DIM MODE**, and press the button ENTER to confirm.
- Press the button UP/DOWN to select **OFF - DIM1 - DIM2 - DIM3**.
- Press ENTER button to store.
- Press the MENU button to go back or to meet the waiting time to exit the setup menu.

WHITE CALIBRATION

- Press the button MENU then press the button UP/DOWN so many times until show **WHITE CALIBRATION**. Press the button ENTER to confirm.
- Select the color **Red, Green, Blue, White** through the buttons UP/DOWN. Press the button ENTER to confirm.
- Set the value (125 - 255), using the buttons UP/DOWN.
- Continue until the desired setting is obtained.
- Press the MENU button to go back or to meet the waiting time to exit the setup menu.

LED FREQUENCY

- To adjust the frequency of the LEDs, press the MENU button repeatedly until the display shows **LED Frequency**, and then press the ENTER button.
- Select the frequency (**600Hz - 1200Hz - 2000Hz - 4000Hz - 6000Hz - 25kHz**) using the UP/DOWN buttons.
- To confirm, press the ENTER key.
- Press the MENU button to go back or wait a few seconds to exit the setup menu.

FACTORY RELOAD

Select this function to restore the drive to default settings:

- To activate **Reset Factory** display press the button MENU so many times until shows **Factory Reload**, and press the button ENTER to confirm.
- Press ENTER button to confirm the selection.
- Press the MENU button to go back or to meet the waiting time to exit from the setup menu automatically.

3. 10 FIXTURE INFORMATION

To view all the information on the device, proceed as follows:

- Press the ENTER button to access the main menu.
- Press the UP/DOWN button to scroll the menu, select the icon Information, then press the ENTER button to enter the next menu.
- Press the UP/DOWN button to scroll through the menu, then select one of the following information and press the ENTER button to display it.
 - **Fixture Time** - Through the **Fixture Time** function you can display the operating time of the projector.
 - **Software Version** - Through **Version** function you can display the currently installed software version.
- Press the LEFT button repeatedly to exit the menu.

3. 11 OPERATIONS IN AUTOMATIC MODE

MASTER SLAVE

Press the UP/DOWN button to scroll through the menu, select **Master/Slave** and press ENTER to confirm your choice.

- Press the UP/DOWN button to select the mode of operation:
 - **Master**, if the unit is connected in series with other units and it acts as the Master;
 - **Slave**, if the unit is not connected to other units.
- Press the ENTER button to confirm your choice.

EFFECTS

The unit independently runs through its show. Before you send an automatic program you need to set the drive as Master/Alone:

- Press the ENTER button to access the main menu.

- Press the UP/DOWN button to scroll the menu, select the **Effects** icon, then press the ENTER button to enter the next menu.
- Press the UP/DOWN button to select the mode of operation: **Effects 1, Effects 2, Effects 3, Effects 4, Effects 5**
- Press the ENTER button to confirm your choice.
- Press the LEFT button repeatedly to exit the menu and save changes.

The unit will go into automatic mode by executing the program automatically.

STATIC MODE

This fixture has the ability to accept custom static color settings. Access these chases via the control panel on the back of the fixture.

- Press the button MENU so many times until the display shows **STATIC**, then press the button ENTER.
- Select **Fixed Color** through the buttons UP/DOWN, then press the button ENTER.
- Set the colors **R, G, B, W, GB, RB, RG, RGB, RW, GW, BW, RGW, RBW, GBW, RGBW**, through the buttons UP/DOWN, then press the button ENTER.
- Press the MENU button to go back or to meet the waiting time to exit the setup menu.

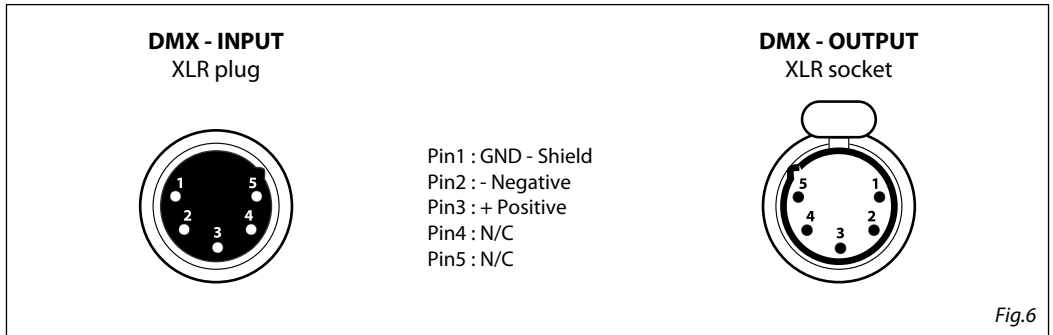
- Select **White Presets** through the buttons UP/DOWN, then press the button ENTER.
- Set the colors temperatur: **3000K, 4000K, 5000K, 6000K, 7000K, 8000K, 9000K, 10000K**, through the buttons UP/DOWN, then press the button ENTER.
- Press the MENU button to go back or to meet the waiting time to exit the setup menu.

- Select **Manual Color Mixer** through the buttons UP/DOWN, then press the button ENTER.
- Set the colors **Red, Green, Blue, White**, through the buttons UP/DOWN, then press the button ENTER.
- Press the MENU button to go back or to meet the waiting time to exit the setup menu.

3.12 CONNECTION OF THE DMX LINE

DMX connection employs standard XLR connectors. Use shielded pair-twisted cables with 120Ω impedance and low capacity.

The following diagram shows the connection mode:



ATTENTION

The screened parts of the cable (sleeve) must never be connected to the system's earth, as this would cause faulty fixture and controller operation.

Over long runs can be necessary to insert a DMX level matching amplifier.

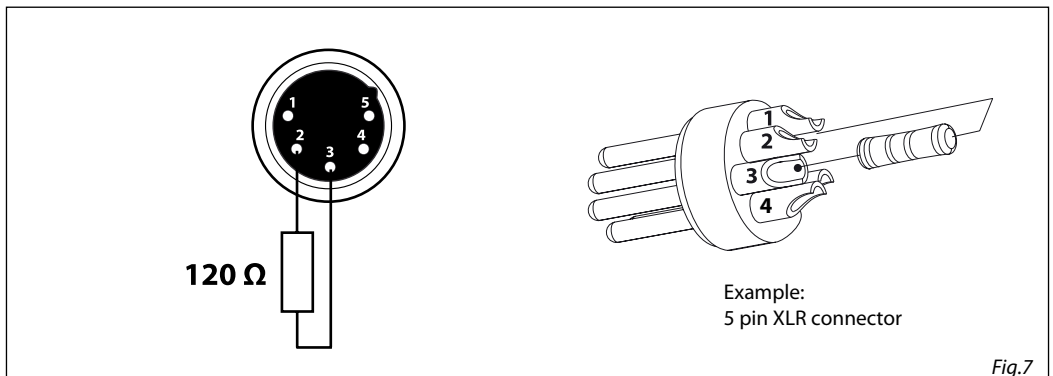
For those connections the use of balanced microphone cable is not recommended because it cannot transmit control DMX data reliably.

- Connect the controller DMX input to the DMX output of the first unit.
- Connect the DMX output to the DMX input of the following unit. Connect again the output to the input of the following unit until all the units are connected in chain.
- When the signal cable has to run longer distance is recommended to insert a DMX termination on the last unit.

3.13 CONSTRUCTION OF THE DMX TERMINATION

The termination avoids the risk of DMX 512 signals being reflected back along the cable when they reach the end of the line: under certain conditions and with certain cable lengths, this could cause them to cancel the original signals.

The termination is prepared by soldering a 120Ω 1/4 W resistor between pins 2 and 3 of the 3-pin male XLR connector, as shown in figure.



3.14 DMX CONTROL

4 CHANNELS

MODE	FUNCTION	DMX Value
4 Ch		
1	RED 0~100%	000 - 255
2	GREEN 0~100%	000 - 255
3	BLUE 0~100%	000 - 255
4	WHITE 0~100%	000 - 255

6 CHANNELS

MODE	FUNCTION	DMX Value
6 Ch		
1	DIMMER 0~100%	000 - 255
2	RED 0~100%	000 - 255
3	GREEN 0~100%	000 - 255
4	BLUE 0~100%	000 - 255
5	WHITE 0~100%	000 - 255
6	STROBE No Function Strobe slow to fast	000 - 010 011 - 255

11 CHANNELS

MODE	FUNCTION	DMX Value
11 Ch		
1	DIMMER 0~100%	000 - 255
2	RED 0~100%	000 - 255
3	GREEN 0~100%	000 - 255
4	BLUE 0~100%	000 - 255

5	WHITE 0~100%	000 - 255
6	STROBE No Function Strobe slow to fast	000 - 010 011 - 255
7	COLOR MACRO No Function R 100%, G 0~100%, B 0% R 100%~0%, G 100%, B 0% R 0%, G 100%, B 0~100% R 0% G 100%~0% B 100% R 0%~100% G 0% B 100% R 100% G 0% B 100%~0% R 100% G 0%~100% B 0%~100% R 100%~0% G 100%~0% B 100% R 100% G 100% B 100% W100% White presets 1 White presets 2 White presets 3 White presets 4 White presets 5 White presets 6 White presets 7 White presets 8 White presets 9 White presets 10 White presets 11	000 - 010 011 - 030 031 - 050 051 - 070 071 - 090 091 - 110 111 - 130 131 - 150 151 - 170 171 - 200 201 - 205 206 - 210 211 - 215 216 - 220 221 - 225 226 - 230 231 - 235 236 - 240 241 - 245 246 - 250 251 - 255
8	WHITE PRESETS 000 - 005 NO function 006 - 039 3000k 040 - 069 4000k 070 - 099 5000k 100 - 129 6000k 130 - 159 7000k 160 - 189 8000k 190 - 219 9000k 220 - 250 10000k 251 - 255 NO function	000 - 005 006 - 039 040 - 069 070 - 099 100 - 129 130 - 159 160 - 189 190 - 219 220 - 250 251 - 225
9	EFFECTS No Function Effect 1 Effect 2 Effect 3 Effect4 Effect5 (Effects1-4)	000 - 010 011 - 060 061 - 110 111 - 160 161 - 210 211 - 255
10	EFFECTS SPEED Effects speed slow to fast	000 - 255
11	DIMMER SPEED MODE Preset dimmer speed from display menu Dimmer speed mode off Dimmer speed mode 1 (fast speed) Dimmer speed mode 2 (middle speed) Dimmer speed mode 3 (slow speed)	000 - 051 052 - 101 102 - 152 153 - 203 204 - 255

- 4 - MAINTENANCE

4.1 MAINTENANCE AND CLEANING THE UNIT

- Make sure the area below the installation place is free from unwanted persons during setup.
- Switch off the unit, unplug the main cable and wait until the unit has cooled down.
- All screws used for installing the device and any of its parts should be tightly fastened and should not be corroded.
- Housings, fixations and installation spots (ceiling, trusses, suspensions) should be totally free from any deformation.
- The main cables must be in impeccable condition and should be replaced immediately even when a small problem is detected.
- It is recommended to clean the front at regular intervals, from impurities caused by dust, smoke, or other particles to ensure that the light is radiated at maximum brightness. For cleaning, disconnect the main plug from the socket. Use a soft, clean cloth moistened with a mild detergent. Then carefully wipe the part dry. For cleaning other housing parts use only a soft, clean cloth. Never use a liquid, it might penetrate the unit and cause damage to it.

4.2 FUSE REPLACEMENT

1. Disconnect this product from the power outlet.
2. Remove the safety cap by a screwdriver.
3. Replace the blown fuse with a fuse of the exact same type and rating.
4. Install the safety cap, and reconnect power.

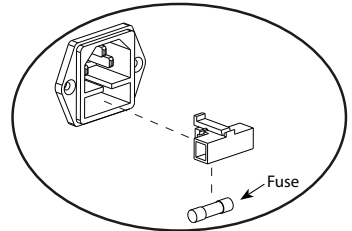


Fig.9

4.3 TROUBLESHOOTING

Problems	Possible causes	Checks and remedies
Fixture does not light up	<ul style="list-style-type: none"> • No mains supply • Dimmer fader set to 0 • All color faders set to 0 • Faulty LED • Faulty LED board 	<ul style="list-style-type: none"> • Check the power supply voltage • Increase the value of the dimmer channels • Increase the value of the color channels • Replace the LED board • Replace the LED board
General low light intensity	<ul style="list-style-type: none"> • Dirty lens assembly • Misaligned lens assembly 	<ul style="list-style-type: none"> • Clean the fixture regularly • Install lens assembly properly
Fixture does not power up	<ul style="list-style-type: none"> • No power • Loose or damaged power cord • Faulty internal power supply 	<ul style="list-style-type: none"> • Check for power on power outlet • Check power cord • Replace internal power supply
Fixture does not respond to DMX	<ul style="list-style-type: none"> • Wrong DMX addressing • Damaged DMX cables • Bouncing signals 	<ul style="list-style-type: none"> • Check control panel and unit addressing • Check DMX cables • Install terminator as suggested

Contact an authorized service center in case of technical problems or not reported in the table can not be resolved by the procedure given in the table.

Music & Lights S.r.l. si riserva ogni diritto di elaborazione in qualsiasi forma delle presenti istruzioni per l'uso.
La riproduzione - anche parziale - per propri scopi commerciali è vietata.

Al fine di migliorare la qualità dei prodotti, la Music&Lights S.r.l. si riserva la facoltà di modificare, in qualunque momento e senza preavviso, le specifiche menzionate nel presente manuale di istruzioni.
Tutte le revisioni e gli aggiornamenti sono disponibili nella sezione 'Manuali' sul sito www.musiclights.it

INDICE

Sicurezza

Avvertenze generali	4
Attenzioni e precauzioni per l'installazione	4

1 Introduzione

1.1 Descrizione	5
1.2 Specifiche tecniche	5
1.2 Elementi di comando e di collegamento	7

2 Installazione

2.1 Montaggio	8
---------------------	---

3 Funzioni e impostazioni

3.1 Funzionamento	9
3.2 Impostazione base	9
3.3 Struttura menu	10
3.4 Modalità DMX	11
3.5 Configurazione canali DMX	11
3.6 Collegamento	11
3.7 Indirizzamento DMX	11
3.8 Impostazioni del proiettore	12
..... Screen	12
3.9 Funzioni dispositivo	12
..... Dimmer	12
..... Bilanciamento bianco	13
..... Frequenza LED	13
..... Factory reload	13
3.10 Informazioni dispositivo	13
3.11 Modalità automatica	13
..... Master/Slave	13
..... Effects	13
..... Modalità statica	14
3.12 Collegamenti della linea DMX	15
3.13 Costruzione del terminatore DMX	15
3.14 Canali DMX	16

4 Manutenzione

4.1 Manutenzione e pulizia del sistema ottico	17
4.2 Sostituzione fusibile	17
4.3 Risoluzione dei problemi	17

Contenuto dell'imballo:

- LUMIPAR12IP
 - Staffa di fissaggio
 - Cavo di alimentazione
 - Manuale utente
-




ATTENZIONE! Prima di effettuare qualsiasi operazione con l'unità, leggere con attenzione questo manuale e conservarlo accuratamente per riferimenti futuri. Contiene informazioni importanti riguardo l'installazione, l'uso e la manutenzione dell'unità.



SICUREZZA

Avvertenze generali

- I prodotti a cui questo manuale si riferisce sono conformi alle Direttive della Comunità Europea e pertanto recano la sigla **CE**.
- Il dispositivo funziona con pericolosa tensione di rete 230V~. Non intervenire mai al suo interno al di fuori delle operazioni descritte nel presente manuale; esiste il pericolo di una scarica elettrica.
- È obbligatorio effettuare il collegamento ad un impianto di alimentazione dotato di un'efficiente messa a terra (apparecchio di Classe I secondo norma EN 60598-1). Si raccomanda, inoltre, di proteggere le linee di alimentazione delle unità dai contatti indiretti e/o cortocircuiti verso massa tramite l'uso di interruttori differenziali opportunamente dimensionati.
- Le operazioni di collegamento alla rete di distribuzione dell'energia elettrica devono essere effettuate da un installatore elettrico qualificato. Verificare che frequenza e tensione della rete corrispondono alla frequenza ed alla tensione per cui l'unità è predisposta, indicate sulla targhetta dei dati elettrici.
- L'unità non per uso domestico, solo per uso professionale.
- Evitare di utilizzare l'unità:
 - in luoghi soggetti a vibrazioni, o a possibili urti;
 - in luoghi a temperatura superiore ai 45°C.
- Evitare che nell'unità penetrino liquidi infiammabili, acqua o oggetti metallici.
- Non smontare e non apportare modifiche all'unità.
- Tutti gli interventi devono essere sempre e solo effettuati da personale tecnico qualificato. Rivolgersi al più vicino centro di assistenza tecnica autorizzato.
- Se si desidera eliminare il dispositivo definitivamente, consegnarlo  per lo smaltimento ad un'istituzione locale per il riciclaggio.

Attenzioni e precauzioni per l'installazione

- Se il dispositivo dovesse trovarsi ad operare in condizioni differenti da quelle descritte nel presente manuale, potrebbero verificarsi dei danni; in tal caso la garanzia verrebbe a decadere. Inoltre, ogni altra operazione potrebbe provocare cortocircuiti, incendi, scosse elettriche, rotture etc.
- Prima di iniziare qualsiasi operazione di manutenzione o pulizia sull'unità togliere la tensione dalla rete di alimentazione.
- È assolutamente necessario proteggere l'unità per mezzo di una fune di sicurezza. Nell'eseguire qualsiasi intervento attenersi scrupolosamente a tutte le normative (in materia di sicurezza) vigenti nel paese di utilizzo.
- Installare l'unità in un luogo ben ventilato.
- Mantenere i materiali infiammabili ad una distanza di sicurezza dall'unità.
- I filtri, le lenti o gli schermi ultravioletti se danneggiati possono limitare la loro efficienza.
- I LED devono essere sostituiti se danneggiati o termicamente deformati.
- Non guardare direttamente il fascio luminoso. Tenete presente che i veloci cambi di luce possono provocare attacchi d'epilessia presso persone fotosensibili o epilettiche.
- Non toccare l'alloggiamento del prodotto quando è in funzione perché potrebbe essere molto caldo.
- Questo prodotto è stato progettato e costruito esclusivamente per l'utilizzo indicato in questa documentazione. Qualsiasi altro utilizzo non espressamente indicato potrebbe pregiudicare la funzionalità del prodotto e/o rappresentare fonte di pericolo.
- Si declina qualsiasi responsabilità derivata dall'uso improprio del prodotto.

- 1 - INTRODUZIONE

1.1 DESCRIZIONE

LUMIPAR12IP è un PAR LED compatto e flessibile con grado di protezione IP65, realizzato per concerti e teatri o per l'illuminazione architettonica all'esterno. Sorgente 12x9 W RGBW / FC. La scocca in alluminio pressofuso lo rende robusto ed silenzioso grazie all'assenza di ventole.

1.2 SPECIFICHE TECNICHE

SORGENTE LUMINOSA

- Sorgente: 12x9W RGBW LEDs
- Flusso luminoso: 20°: 3'900 lm - 45°: 6'700lm
- Lux: (20°) 2'535lx @3 m full
- Lux: (45°) 1'154lx @3 m full
- Durata media sorgente: >50.000 h

OTTICA

- Angolo di proiezione: available in 20° or 45°
- Angolo di campo: 36° or 60°

SISTEMA COLORE

- Miscelazione del colore: RGBW / FC
- Preset bianchi: 3.000 K ~ 10.000K
- Ruota colori: ruota colori virtuale con preset
- Macros: preset bianchi incorporati

EFFETTI DINAMICI

- Modalità colore statico: riproduzione statica di un colore
- Modalità colore manuale: regolazione manuale di un colore
- Auto mode: programmi integrati con regolazione della velocità di esecuzione

CORPO

- Corpo: corpo in alluminio pressofuso ad alta resistenza
- Colore: nero

CONTROLLO

- Protocolli: DMX512
- Canali DMX: 4 / 6 / 11 channel
- Display: display touch black OLED
- Aggiornamento firmware: si, con interfaccia USB - DMX (UPBOX1) non inclusa
- Master/Slave: per il controllo di più unità collegate in catena

ELETTRONICA

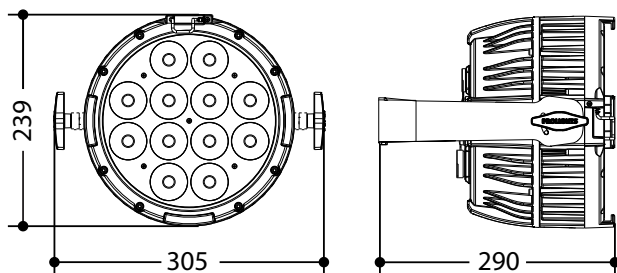
- Dimmer: 0 ~ 100% lineare, elettronico
- Curve dimmer: 4 curve dimmer regolabili
- Strobe / shutter: 0 - 30 Hz, elettronico
- Temperatura d'esercizio: -20° ~ +45°
- Flicker: funzionamento senza sfarfallio
- PWM selezionabile: 600 ~ 25.000 Hz

ALIMENTAZIONE

- Alimentazione elettrica: 100-240 V – 50/60 Hz
- Potenza assorbita (a 230 V): 110W
- Potenza assorbita (a 120 V): 110W
- Output (a 230 V): 33 unità connesse in serie
- Output (a 120 V): 18 unità connesse in serie

CARATTERISTICHE FISICHE

- Raffreddamento: proiettore privo di ventole e struttura disegnata per una dissipazione a convezione naturale
- Sospensione e fissaggio: doppia staffa per il fissaggio in sospensione e per il posizionamento del proiettore da terra
- Connessione di segnale:
- Connessione di alimentazione: Seetronic powerKon waterproof IN/OUT connectors
- Grado IP: 65 per installazioni outdoor
- Dimensioni (LxAxP): 305x326x177mm
- Peso: 6,2kg

*Disegno tecnico**Fig.1*

1.3 ELEMENTI DI COMANDO E COLLEGAMENTI

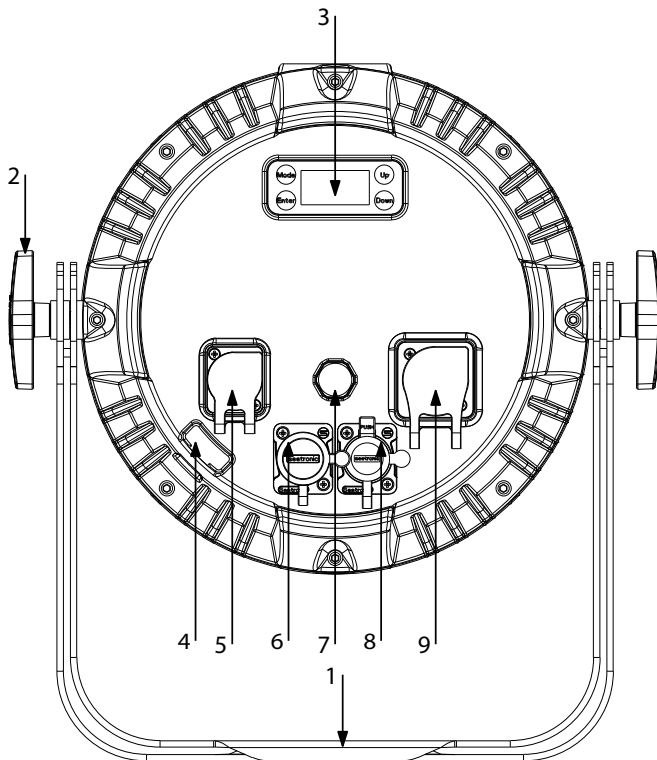


Fig.2 - Pannello posteriore

- | | |
|--|---|
| <ol style="list-style-type: none"> 1. STAFFA DI MONTAGGIO 2. MANOPOLA DI FISSAGGIO per la staffa di montaggio. 3. PANNELLO DI CONTROLLO con display e 4 pulsanti per accesso e gestione delle diverse funzioni. 4. SAFETY EYE per l'aggancio al cavo di sicurezza 5. POWER IN (PowerCON IN): per il collegamento ad una presa di rete (100-240V~/50-60Hz) tramite il cavo rete in dotazione. 6. DMX IN (XLR a 5 poli): 1 = massa, 2 = DMX -, 3 = DMX +, 4 N/C, 5 N/C | <ol style="list-style-type: none"> segnale IN/OUT 7. GND POINT usato per la messa a terra del dispositivo. 8. DMX OUT (XLR a 5 poli): 1= massa, 2 = DMX -, 3 = DMX +, 4 N/C, 5 N/C 9. POWER OUT (PowerCON OUT): collegamento per l'alimentazione all'unità successiva |
|--|---|

- 2 - INSTALLAZIONE

2.1 MONTAGGIO

Il LUMIPAR12IP può essere collocata su un piano solido. Inoltre, grazie alle possibilità di fissaggio sulla doppia staffa (fig.3), l'unità può essere montata anche a testa in giù, su una traversa. Per il fissaggio occorrono dei supporti robusti per il montaggio. L'area di collocazione deve avere una stabilità sufficiente a supportare almeno 10 volte il peso dell'unità.

Inoltre assicurarsi di rispettare tutte le avvertenze in materia di sicurezza.

- Fissare il proiettore attraverso l'apposita staffa (1) ad una collocazione idonea.
- È assolutamente necessario assicurare il proiettore contro la caduta utilizzando un cavo di sicurezza: in particolare collegare il cavo in un punto adatto in modo che la caduta del proiettore non possa superare i 20 cm.
- Orientare il proiettore intervenendo, se necessario, sulla manopola della staffa di montaggio (2).

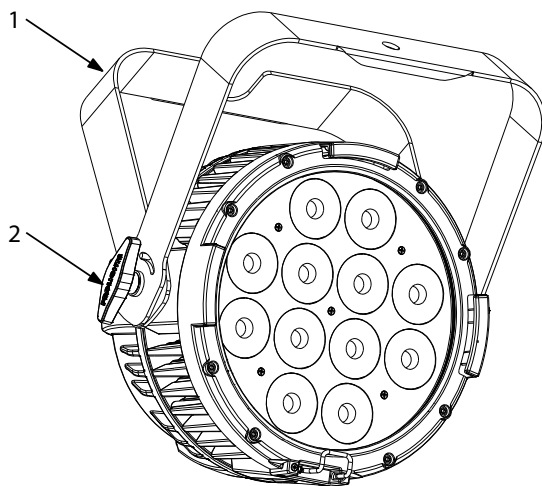


Fig.3

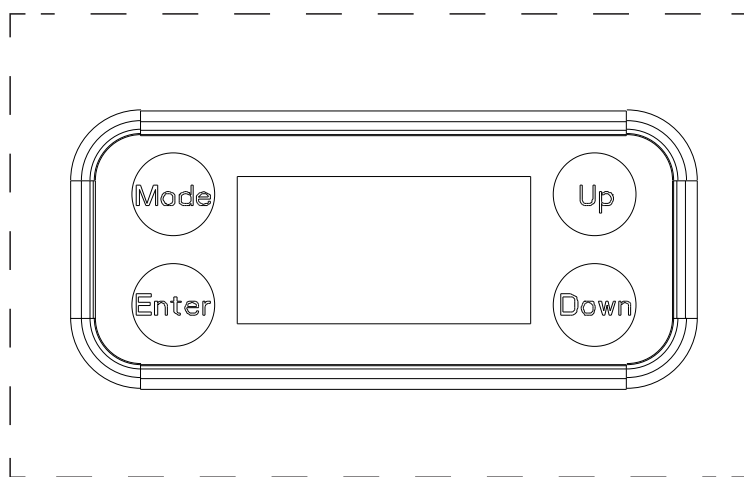
- 3 - FUNZIONI E IMPOSTAZIONI

3.1 FUNZIONAMENTO

Per accendere il LUMIPAR12IP, inserire la spina del cavo di alimentazione in una presa di rete (100-240V~/50-60Hz). L'unità può essere comandata da un'unità DMX di comando luce oppure svolgere autonomamente il suo programma. Per spegnere il LUMIPAR12IP, staccare la spina dalla presa di rete. Per maggiore comodità è consigliabile collegare l'unità con una presa comandata da un interruttore.

3.2 IMPOSTAZIONE BASE

Il LUMIPAR12IP dispone di un LED display e 4 pulsanti per accesso alle funzioni del pannello di controllo (fig.4).



MENU	UP	DOWN	ENTER
Per scorrere il menu principale o tornare ad una opzione del menu precedente	Per scorrere attraverso le diverse funzioni in ordine discendente o aumentare il valore della funzione stessa	Per scorrere attraverso le diverse funzioni in ordine ascendente o diminuire il valore della funzione stessa	Per entrare nel menu selezionato o confermare il valore attuale della funzione o l'opzione all'interno di un menu

Fig.4 - Funzione dei tasti

3.3 STRUTTURA MENU

MENU	
1	CONNECT <ul style="list-style-type: none"> ⇒ DMX Address ⇒ Value (001-512) ⇒ DMX Mode ⇒ EASY - 4CH BASIC - 6CH STANDARD - 11CH
2	SETUP <ul style="list-style-type: none"> ⇒ Screen ⇒ Back Light ⇒ On 10S 20S 30S NO-Yes ⇒ Key Lock ⇒
3	ADVANCED <ul style="list-style-type: none"> ⇒ Dimmer Mode ⇒ Off Dimmer 1 Dimmer 2 Dimmer 3 ⇒ White Balance ⇒ Off Adjust ⇒ Red <125-255> Green <125-255> Blue <125-255> White <125-255> ⇒ Led Frequency ⇒ 600Hz 1200 Hz 2000 Hz 4000 Hz 6000Hz 25kHz ⇒ Factory Reload ⇒ NO-Yes
4	INFORMATION <ul style="list-style-type: none"> ⇒ Fixture Time ⇒ 0-9999 ⇒ Version ⇒ V1.0
4	STAND ALONE <ul style="list-style-type: none"> ⇒ Maser/Slave ⇒ Effects ⇒ Effect1 Effect5 ⇒ Static ⇒ Fixed Color ⇒ R G B W GB RB RG RGB RW GW BW RGW RBW GBW RGBW

⇒ White preset	⇒ 3000K 4000K 5000K 6000K 7000K 8000K 9000K 10000K
⇒ Manual Color	⇒ Red <000-255> Green <000-255> Blue <000-255> White <000-255>

3.4 MODALITÀ DMX

- Per impostare l'indirizzo DMX, premere il tasto MENU fino a quando sul display non appare **DMX ADDRESS**, quindi premere il tasto ENTER.
- Premere il tasto UP/DOWN per selezionare il valore desiderato (**001-512**); tenere premuto invece il tasto UP/DOWN per lo scorrimento veloce. Premere il tasto ENTER per confermare l'impostazione.

Per poter comandare il LUMIPAR12IP con un'unità di comando luce, occorre impostare l'indirizzo di start DMX per il primo canale DMX. Se, per esempio, sull'unità di comando è previsto l'indirizzo 33 per comandare la funzione del primo canale DMX, si deve impostare sul LUMIPAR12IP l'indirizzo di start 33. Le altre funzioni del pannello saranno assegnate automaticamente agli indirizzi successivi. Segue un esempio con indirizzo 33 di start:

3.5 CONFIGURAZIONE CANALI DMX

Il LUMIPAR12IP dispone di diverse configurazioni dei canali DMX a cui si può accedere dal pannello di controllo.

- Premere il tasto MENU fino a quando sul display non appare **DMX CHANNEL**, quindi premere il tasto ENTER.
- Attraverso i tasti UP/DOWN selezionare la configurazione dei canali DMX che si desidera (**Easy 4CH - Basic 6CH - Standard 11CH**). Premere il tasto ENTER per confermare.

Le tabelle a pagina indicano le modalità di funzionamento e i relativi valori DMX.

3.6 COLLEGAMENTO

Si possono collegare più unità affinché tutte le unità secondarie abbiano lo stesso effetto luce dell'unità principale (Master). Servirsi dei connettori DMX del LUMIPAR12IP e di un cavo XLR per formare una catena di unità. In certe condizioni e lunghezze si consiglia di effettuare una terminazione come mostrato a pagina 14.

1. Collegare l'uscita DMX OUT dell'unità principale con l'ingresso DMX IN della prima unità secondaria servendosi di un cavo XLR a 5 poli.
2. Collegare l'uscita DMX OUT della prima unità secondaria con l'ingresso DMX IN della seconda unità secondaria ecc.

3.7 INDIRIZZAMENTO DMX

Per poter comandare il LUMIPAR12IP con un'unità di comando luce, occorre impostare l'indirizzo di start DMX per il primo canale DMX. Se, per esempio, sull'unità di comando è previsto l'indirizzo 33 per comandare la funzione del primo canale DMX, si deve impostare sul LUMIPAR12IP l'indirizzo di start 33. Le altre funzioni del pannello saranno assegnate automaticamente agli indirizzi successivi.

Number of DMX channels	Start address (example)	DMX Address occupied	Next possible start address for unit No. 1	Next possible start address for unit No. 2	Next possible start address for unit No. 3
6	33	33-38	39	45	51
11	33	33-41	44	55	66

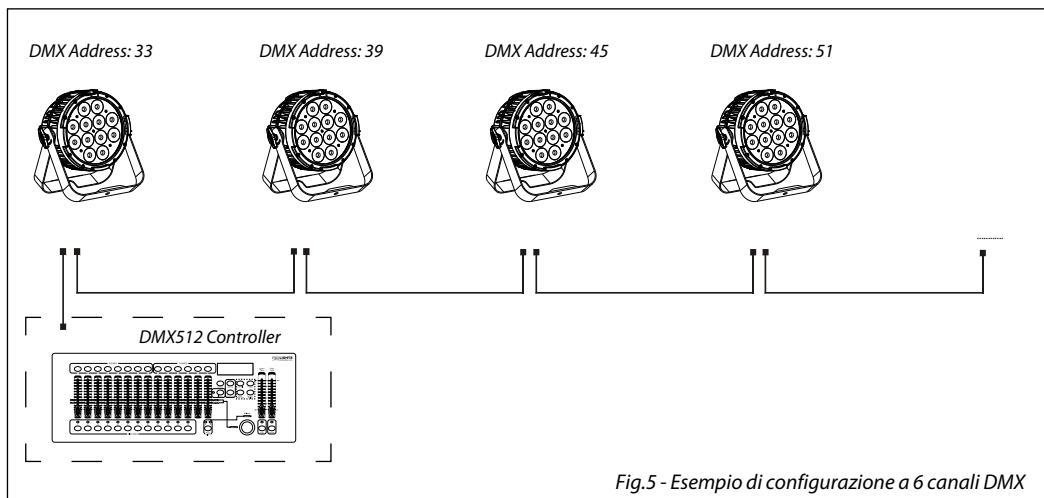


Fig.5 - Esempio di configurazione a 6 canali DMX

3.8 IMPOSTAZIONI DEL PROIETTORE

È possibile modificare i parametri relativi al dispositivo procedendo nel seguente modo:

SCREEN

È possibile modificare i seguenti parametri, relativi al display, seguendo la medesima procedura:

- Premere il tasto ENTER per accedere al menu principale.
- Premere il tasto UP/DOWN per scorrere nel menu, selezionare **Set Up**, quindi premere il tasto ENTER per accedere al menu successivo.
- Premere il tasto UP/DOWN per selezionare **Screen** e premere il tasto ENTER per procedere.
- Selezionare l'opzione proposta con il tasto UP/DOWN e premere il tasto ENTER per confermare.
 - **Backlight** - Retroilluminazione display Auto Off. Questa funzione permette di spegnere automaticamente la retroilluminazione del display dopo un determinato tempo che può essere impostato tramite i tasti direzionali. Per avere il display sempre acceso seleziona **Always On** oppure impostare un valore tra quelli indicati per far spegnere il display una volta trascorso il tempo scelto, dopo l'uscita dal menu.
 - **Key lock** - Blocco tasti. Con questa funzione è possibile bloccare i tasti del pannello di controllo, per evitare, ad esempio, manomissioni delle impostazioni. Se questa funzione viene attivata, i tasti vengono bloccati automaticamente. Per disattivare o temporaneamente o disattivare la funzione di blocco tasti, premere i tasti nel seguente ordine per riottenere l'accesso ai comandi di menu: SU, GIÙ, SU, GIÙ, ENTER. Selezionare **YES** per attivare la funzione oppure **NO** per disattivarla.
- Premere il tasto ENTER per confermare la scelta.
- Premere il tasto MENU più volte per uscire dal menu e per salvare le modifiche apportate.

3.9 FUNZIONI DISPOSITIVO

Per il LUMIPAR12IP è possibile accedere alle seguenti funzioni dispositivo:

DIMMER

- Per entrare nella modalità dimmer e scegliere e simulare diverse curve dimming, scorrere nel menu, selezionare l'icona **Advanced**, scorrere nel MENU fino a quando sul display non compare **DIM MODE**, quindi premere il tasto ENTER.
- Premere il tasto UP/DOWN per selezionare (**OFF - DIM1 - DIM2 - DIM3**).
- Premere il tasto ENTER per confermare la scelta.
- Premere il tasto MENU per tornare indietro o attendere alcuni secondi per uscire dal menu di impostazione.

BILANCIAMENTO BIANCO

- Per impostare il bilanciamento del bianco premere il tasto MENU fino a quando sul display non appare **WHITE BALANCE**, quindi premere il tasto ENTER.
- Premere il tasto UP/DOWN per selezionare una delle seguenti impostazioni: **Red, Green, Blue, White**. Poi premere il tasto ENTER.
- Utilizzare i tasti UP/DOWN per impostare il valore desiderato **125 - 255**.
- Premere il tasto MENU per tornare indietro o attendere alcuni secondi per uscire dal menu di impostazione.

FREQUENZA LED

- Per regolare la frequenza dei LED, premere il tasto MENU ripetutamente fino a quando sul display non compare **LED FREQUENCY**, quindi premere il tasto ENTER.
- Selezionare il valore della frequenza (**600Hz - 1200Hz - 2000Hz - 4000Hz - 6000Hz 25kHz**) attraverso i tasti UP/DOWN.
- Per confermare premere il tasto ENTER.
- Premere il tasto MENU per tornare indietro o attendere alcuni secondi per uscire dal menu di impostazione.

FACTORY RELOAD

Selezionare questa funzione per ripristinare l'unità alle impostazioni di fabbrica:

- Premere il tasto ENTER per accedere al menu principale.
- Premere il tasto UP/DOWN per selezionare **Factory Reload** e premere il tasto ENTER per procedere.
- Premere i tasti UP/DOWN per selezionare **Yes** oppure **No**, quindi premere il tasto ENTER per confermare

3.10 INFORMAZIONI SUL DISPOSITIVO

Per visualizzare tutte le informazioni sul dispositivo procedere nel seguente modo:

- Premere il tasto ENTER per accedere al menu principale.
- Premere il tasto UP/DOWN per selezionare l'icona **Information**, quindi premere il tasto ENTER per accedere al menu successivo.
- Premere il tasto UP/DOWN per scorrere nel menu, quindi selezionare una delle seguenti informazioni e premere il tasto ENTER per visualizzarla.
 - **Fixture Time** - Attraverso la funzione **Fixture Time** è possibile visualizzare sul display il tempo di funzionamento del proiettore.
 - **Version** - Attraverso la funzione **Version** è possibile visualizzare sul display la versione del software installata.
- Premere il tasto MENU più volte per uscire dal menu.

3.11 OPERAZIONI IN MODALITÀ AUTOMATICA

MASTER/SLAVE

Master/Slave muoversi con il tasto UP/DOWN, quindi confermare la scelta con il tasto ENTER.

- **Master**, se l'unità è collegata in serie ad altre unità ed essa svolge la funzione di Master;
- **Slave**, se l'unità non è collegata ad altre unità.
- Premere il tasto ENTER per confermare la scelta.

EFFECTS

L'unità può svolgere il suo programma Show autonomamente. Prima di inviare un programma automatico in esecuzione è necessario impostare l'unità come Master/Alone:

- Premere il tasto ENTER per accedere al menu principale.
- Premere il tasto UP/DOWN per scorrere nel menu, selezionare **Effects**, quindi premere il tasto ENTER per accedere al menu successivo :
- Premere il tasto UP/DOWN per selezionare la modalità di funzionamento: **Effects 1, Effects 2, Effects 3, Effects**

4, Effects 5

- Premere il tasto ENTER per confermare la scelta e successivamente selezionare la velocità.
 - Premere il tasto LEFT più volte per uscire dal menu e per salvare le modifiche apportate.
- L'unità entrerà in modalità automatica mandando in esecuzione il programma automatico.

MODALITÀ STATICA

L'unità dispone di preset colori pre-programmati che possono essere impostati attraverso la seguente procedura:

- Premere il tasto MENU fino a quando sul display non appare **STATIC**, quindi premere il tasto ENTER.
- Selezionare **Fixed Color** attraverso i tasti UP/DOWN, quindi premere il tasto ENTER.
- Impostare i colori **R, G, B, W, GB, RB, RG, RGB, RW, GW, BW, RGW, RBW, GBW, RGBW** attraverso i tasti UP/DOWN, quindi premere il tasto ENTER.
- Premere il tasto MENU per tornare indietro o attendere alcuni secondi per uscire dal menu di impostazione.

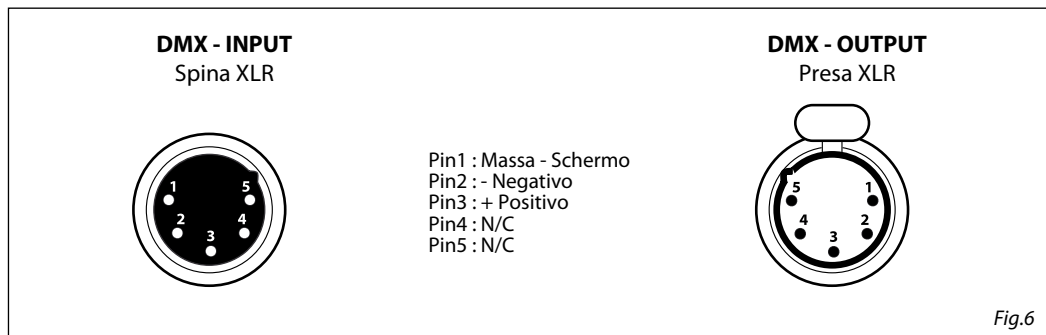
- Selezionare **White Presets** attraverso i tasti UP/DOWN, quindi premere il tasto ENTER.
- Impostare la temperatura colore: **3000K, 4000K, 5000K, 6000K, 7000K, 8000K, 9000K, 10000K** attraverso i tasti UP/DOWN, quindi premere il tasto ENTER.
- Premere il tasto MENU per tornare indietro o attendere alcuni secondi per uscire dal menu di impostazione.

- Selezionare **Manual Color** attraverso i tasti UP/DOWN, quindi premere il tasto ENTER.
- Impostare i colori **Red, Green, Blue, White**, attraverso i tasti UP/DOWN, quindi premere il tasto ENTER ed impostare il valore desiderato.
- Premere il tasto MENU per tornare indietro o attendere alcuni secondi per uscire dal menu di impostazione.

3.12 COLLEGAMENTI DELLA LINEA DMX

La connessione DMX è realizzata con connettori standard XLR. Utilizzare cavi schermati, 2 poli ritorti, con impedenza 120Ω e bassa capacità.

Per il collegamento fare riferimento allo schema di connessione riportato di seguito:



ATTENZIONE

La parte schermata del cavo (calza) non deve mai essere collegata alla terra dell'impianto; ciò comporterebbe malfunzionamenti delle unità e dei controller.

Per passaggi lunghi può essere necessario l'inserimento di un amplificatore DMX.

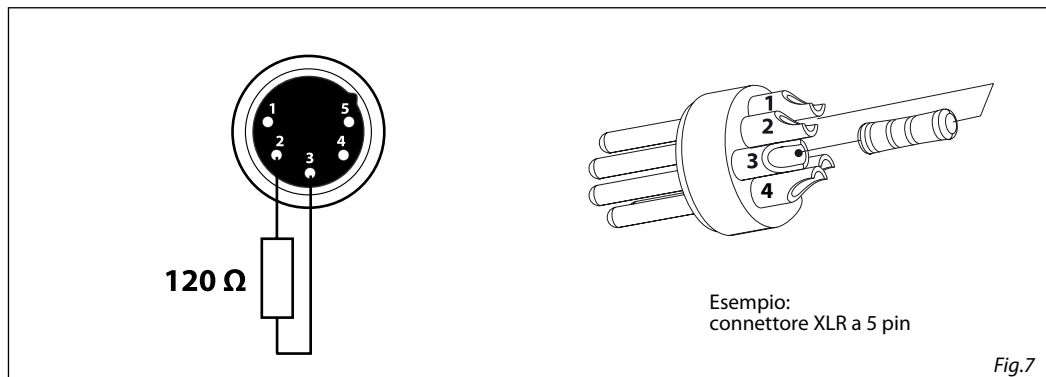
In tal caso, è sconsigliato utilizzare nei collegamenti cavo bilanciato microfonico poiché non è in grado di trasmettere in modo affidabile i dati di controllo DMX.

- Collegare l'uscita DMX del controller con l'ingresso DMX della prima unità;
- Collegare, quindi, l'uscita DMX con l'ingresso DMX della successiva unità; l'uscita di quest'ultima con l'ingresso di quella successiva e via dicendo finché tutte le unità sono collegate formando una catena.
- Per installazioni in cui il cavo di segnale deve percorrere lunghe distanze è consigliato inserire sull'ultima unità una terminazione DMX.

3.13 COSTRUZIONE DEL TERMINATORE DMX

La terminazione evita la probabilità che il segnale DMX 512, una volta raggiunta la fine della linea stessa venga riflesso indietro lungo il cavo, provocando, in certe condizioni e lunghezze, la sua sovrapposizione al segnale originale e la sua cancellazione.

La terminazione deve essere effettuata, sull'ultima unità della catena, con connettori XLR a 3 pin, saldando una resistenza di 120Ω (minimo 1/4W) tra i terminali 2 e 3, così come indicato in figura.



3.14 CANALI DMX

4 CHANNELS

MODE	FUNCTION	DMX Value
4 Ch		
1	RED 0~100%	000 - 255
2	GREEN 0~100%	000 - 255
3	BLUE 0~100%	000 - 255
4	WHITE 0~100%	000 - 255

6 CHANNELS

MODE	FUNCTION	DMX Value
6 Ch		
1	DIMMER 0~100%	000 - 255
2	RED 0~100%	000 - 255
3	GREEN 0~100%	000 - 255
4	BLUE 0~100%	000 - 255
5	WHITE 0~100%	000 - 255
6	STROBE No Function Strobe slow to fast	000 - 010 011 - 255

11 CHANNELS

MODE	FUNCTION	DMX Value
11 Ch		
1	DIMMER 0~100%	000 - 255
2	RED 0~100%	000 - 255
3	GREEN 0~100%	000 - 255
4	BLUE 0~100%	000 - 255

5	WHITE 0~100%	000 - 255
6	STROBE No Function Strobe slow to fast	000 - 010 011 - 255
7	COLOR MACRO No Function R 100%, G 0~100%, B 0% R 100%~0%, G 100%, B 0% R 0%, G 100%, B 0~100% R 0% G 100%~0% B 100% R 0%~100% G 0% B 100% R 100% G 0% B 100%~0% R 100% G 0%~100% B 0%~100% R 100%~0% G 100%~0% B 100% R 100% G 100% B 100% W100% White presets 1 White presets 2 White presets 3 White presets 4 White presets 5 White presets 6 White presets 7 White presets 8 White presets 9 White presets 10 White presets 11	000 - 010 011 - 030 031 - 050 051 - 070 071 - 090 091 - 110 111 - 130 131 - 150 151 - 170 171 - 200 201 - 205 206 - 210 211 - 215 216 - 220 221 - 225 226 - 230 231 - 235 236 - 240 241 - 245 246 - 250 251 - 255
8	WHITE PRESETS 000 - 005 NO function 006 - 039 3000k 040 - 069 4000k 070 - 099 5000k 100 - 129 6000k 130 - 159 7000k 160 - 189 8000k 190 - 219 9000k 220 - 250 10000k 251 - 255 NO function	000 - 005 006 - 039 040 - 069 070 - 099 100 - 129 130 - 159 160 - 189 190 - 219 220 - 250 251 - 225
9	EFFECTS No Function Effect 1 Effect 2 Effect 3 Effect4 Effect5 (Effects1-4)	000 - 010 011 - 060 061 - 110 111 - 160 161 - 210 211 - 255
10	EFFECTS SPEED Effects speed slow to fast	000 - 255
11	DIMMER SPEED MODE Preset dimmer speed from display menu Dimmer speed mode off Dimmer speed mode 1 (fast speed) Dimmer speed mode 2 (middle speed) Dimmer speed mode 3 (slow speed)	000 - 051 052 - 101 102 - 152 153 - 203 204 - 255

- 4 - MANUTENZIONE

4.1 MANUTENZIONE E PULIZIA DEL SISTEMA OTTICO

- Durante gli interventi, assicurarsi che l'area sotto il luogo di installazione sia libera da personale non qualificato.
- Spegnerne l'unità, scollegare il cavo di alimentazione ed aspettare finché l'unità non si sia raffreddata.
- Tutte le viti utilizzate per l'installazione dell'unità e le sue parti devono essere assicurate saldamente e non devono essere corrose.
- Alloggiamenti, elementi di fissaggio e di installazione (soffitto, truss, sospensioni) devono essere totalmente esenti da qualsiasi deformazione.
- I cavi di alimentazione devono essere in condizione impeccabile e devono essere sostituiti immediatamente nel momento in cui anche un piccolo problema viene rilevato.
- Si dovrebbe procedere, ad intervalli regolari, alla pulizia della parte frontale per asportare polvere, fumo e altre particelle. Solo così, la luce può essere irradiata con la luminosità massima. Per la pulizia usare un panno morbido, pulito e un detergente per vetri come si trovano in commercio. Quindi asciugare le parti delicatamente.

4.2 SOSTITUZIONE FUSIBILE

1. Assicurarsi di scollegare il cavo di alimentazione del proiettore prima di sostituire un fusibile bruciato con uno dello stesso tipo e valore.
2. Con un cacciavite, rimuovere il portafusibile dalla sua sede e il fusibile bruciato dal suo supporto; sostituire il fusibile con uno identico per tipologia e valore.
3. Inserire il portafusibile al suo posto e ricollegare l'alimentazione.

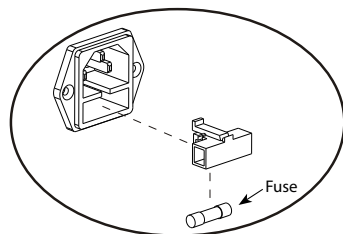
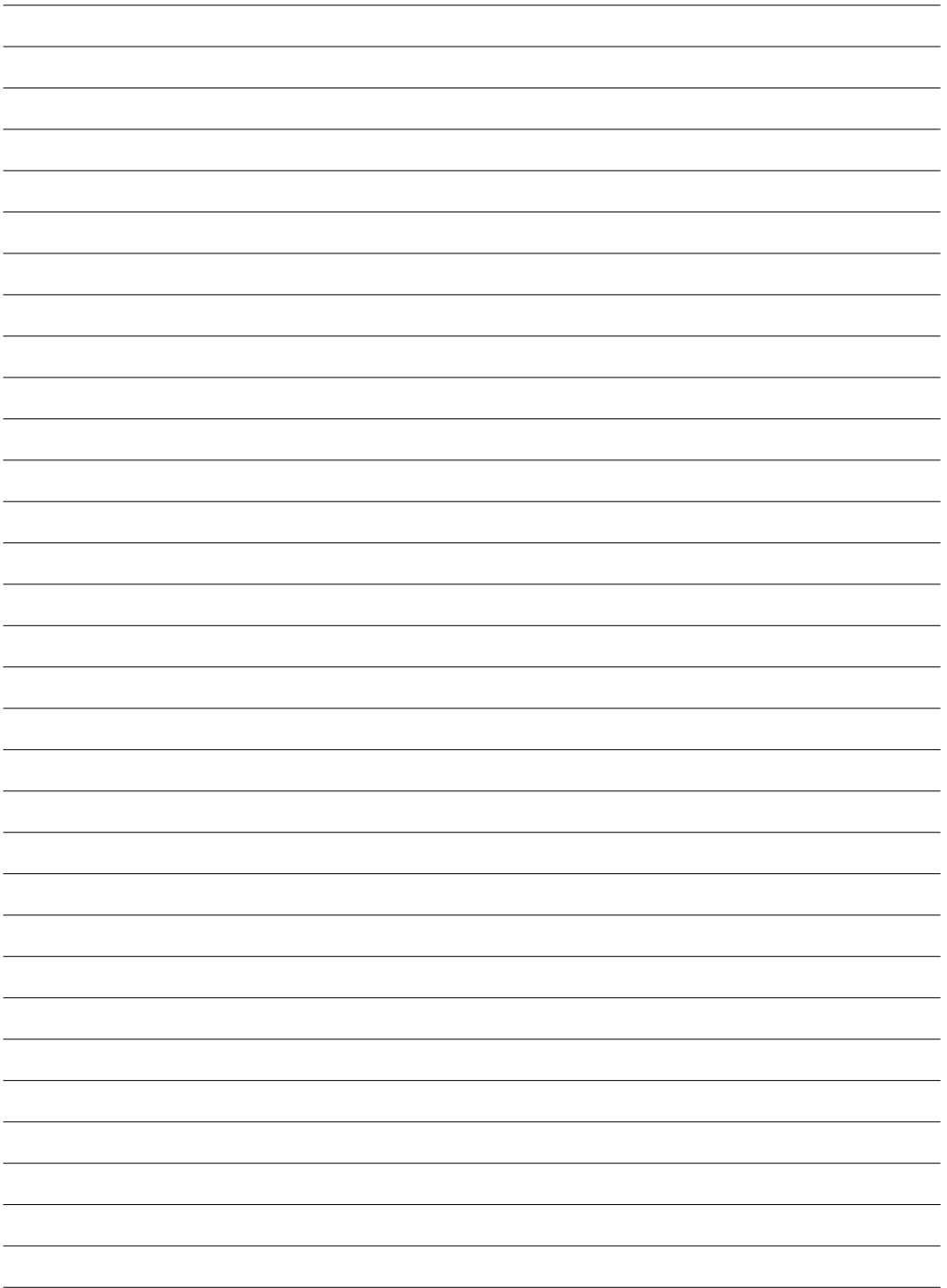


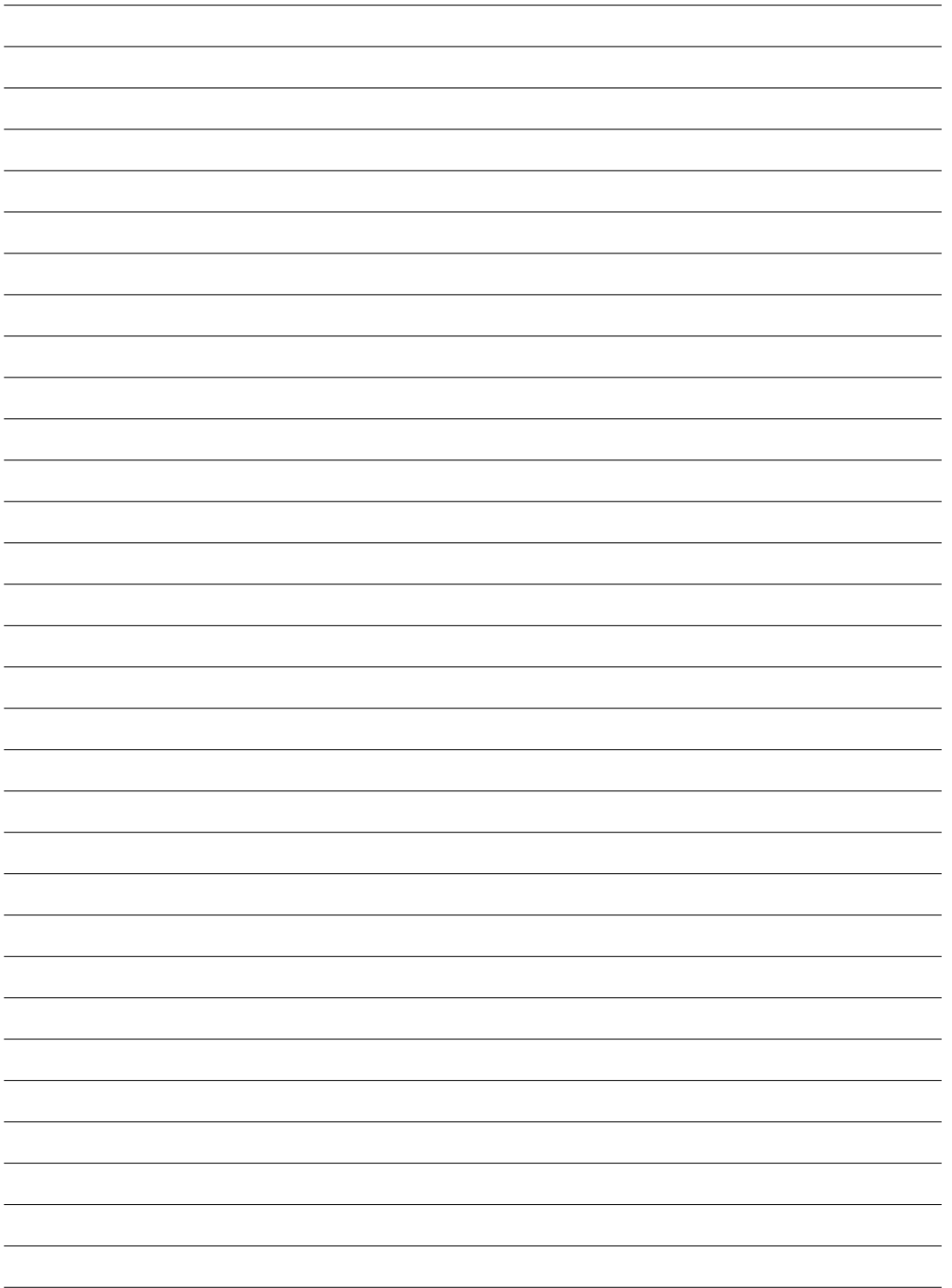
Fig.9

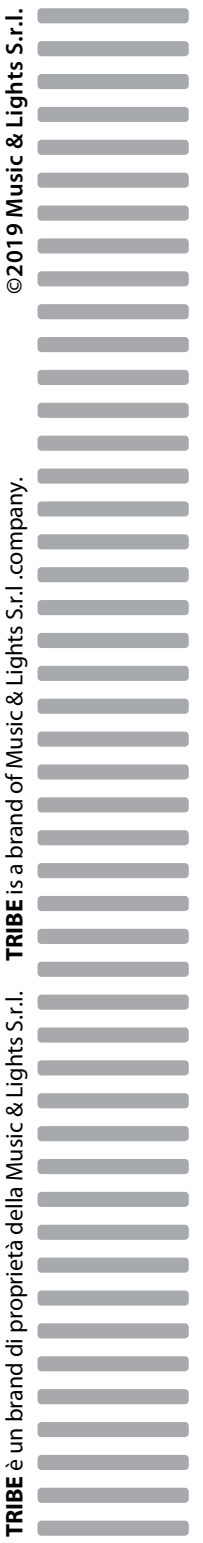
4.3 RISOLUZIONE DEI PROBLEMI

Anomalie	Possibili cause	Controlli e rimedi
Il dispositivo non illumina	<ul style="list-style-type: none"> • Mancanza di alimentazione di rete • Dimmer impostato a 0 • Tutti i colori impostati a 0 • LED difettoso/i • Scheda LED difettosa 	<ul style="list-style-type: none"> • Verificare la presenza della tensione alimentazione • Incrementare i valori del canale dimmer • Incrementare i valori dei canali colori • Sostituire scheda LED • Sostituire scheda LED
Bassa intensità di luce generale	<ul style="list-style-type: none"> • Lenti sporche 	<ul style="list-style-type: none"> • Pulire il dispositivo regolarmente
Il dispositivo non è alimentato	<ul style="list-style-type: none"> • Mancanza di alimentazione di rete • Cavo di alimentazione danneggiato • Alimentatore interno difettoso 	<ul style="list-style-type: none"> • Verificare la presenza della tensione alimentazione • Controllare il cavo di alimentazione • Sostituire l'alimentatore interno
Il dispositivo non risponde al DMX	<ul style="list-style-type: none"> • Indirizzamento DMX errato • Cavo di segnale DMX difettoso • Rimbalzo segnale DMX 	<ul style="list-style-type: none"> • Controllare il pannello di controllo e l'indirizzamento delle unità • Controllare il cavo di segnale DMX • Installare una terminazione DMX come suggerito

Rivolgersi a un centro di assistenza tecnico autorizzato nel caso in cui il problema non sia riportato in tabella.







©2019 Music & Lights S.r.l.

TRIBE is a brand of Music & Lights S.r.l. company.

TRIBE è un brand di proprietà della Music & Lights S.r.l.