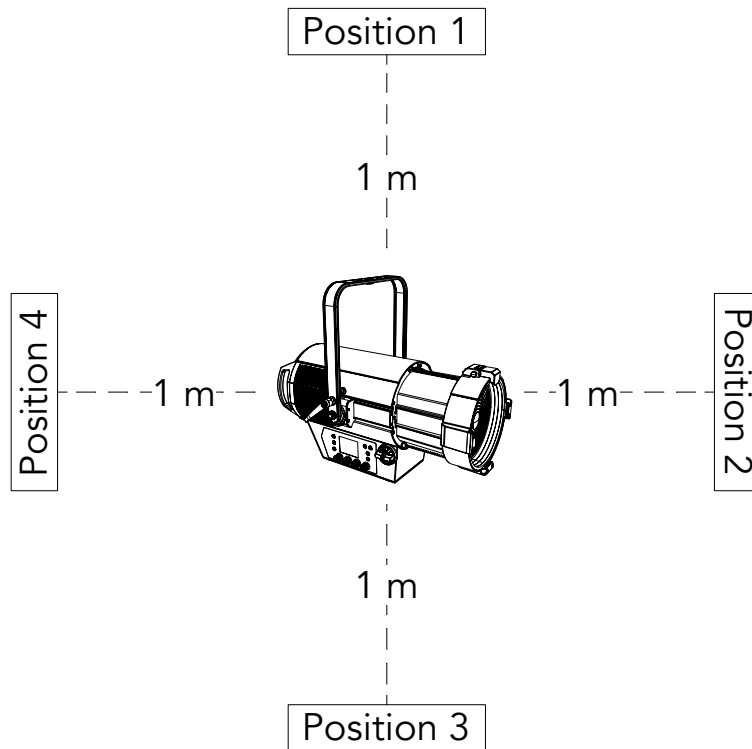


# ECLFRCT+ L

## NOISE TEST REPORT



AMBIENT NOISE		25 dB (A)		AMBIENT TEMPERATURE		27 °C	
LED OFF	FAN MODE						
	OFF	HIGH	AUTO	QUIET 1 CTO	QUIET 2 CTO		
	1: 37,4 dB (A)	1: 60,7 dB (A)	1: 41,7 dB (A)	1: 40,7 dB (A)	1: 40,5 dB (A)		
	2: 37 dB (A)	2: 59,2 dB (A)	2: 40,8 dB (A)	2: 38,9 dB (A)	2: 40,3 dB (A)		
	3: 36,7 dB (A)	3: 59 dB (A)	3: 41,2 dB (A)	3: 40 dB (A)	3: 40 dB (A)		
	4: 37,2 dB (A)	4: 59,9 dB (A)	4: 41,4 dB (A)	4: 40,3 dB (A)	4: 41 dB (A)		
AVERAGE SOUND PRESSURE LEVEL		37 dB (A)	59,7 dB (A)	41,3 dB (A)	40 dB (A)	40,4 dB (A)	
LED FULL	1: 38,7 dB (A)	1: 61 dB (A)	1: 42,9 dB (A)	1: 41,7 dB (A)	1: 40,3 dB (A)		
	2: 38,2 dB (A)	2: 57,9 dB (A)	2: 41,4 dB (A)	2: 40,6 dB (A)	2: 39,8 dB (A)		
	3: 38,4 dB (A)	3: 60 dB (A)	3: 42,1 dB (A)	3: 40,7 dB (A)	3: 39,7 dB (A)		
	4: 37,4 dB (A)	4: 60,9 dB (A)	4: 43,1 dB (A)	4: 41,2 dB (A)	4: 40,6 dB (A)		
AVERAGE SOUND PRESSURE LEVEL		38,2 dB (A)	60 dB (A)	42,4 dB (A)	41 dB (A)	40,1 dB (A)	