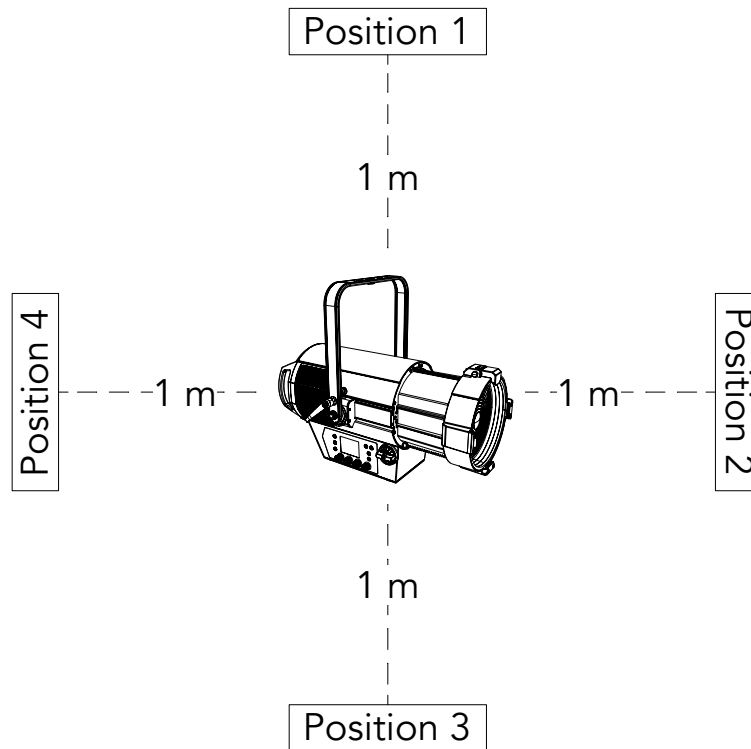


ECLFRCT+ M

NOISE TEST REPORT



AMBIENT NOISE		25 dB (A)		AMBIENT TEMPERATURE		26,9 °C	
LED OFF	FAN MODE						
		OFF	HIGH	AUTO	QUIET 1 CTO	QUIET 2 CTO	
	1:	25 dB (A)	1: 57,8 dB (A)	1: 32,6 dB (A)	1: 30,9 dB (A)	1: 27,1 dB (A)	
	2:	25 dB (A)	2: 56,4 dB (A)	2: 32,4 dB (A)	2: 30,1 dB (A)	2: 27 dB (A)	
	3:	25 dB (A)	3: 56,8 dB (A)	3: 31,1 dB (A)	3: 29,5 dB (A)	3: 27,3 dB (A)	
	4:	25 dB (A)	4: 56,8 dB (A)	4: 31,8 dB (A)	4: 30,6 dB (A)	4: 27,3 dB (A)	
AVERAGE SOUND PRESSURE LEVEL		25 dB (A)	56,9 dB (A)	32 dB (A)	30,3 dB (A)	27,2 dB (A)	
LED FULL	1:	25 dB (A)	1: 59,1 dB (A)	1: 34,6 dB (A)	1: 33,8 dB (A)	1: 27,8 dB (A)	
	2:	25 dB (A)	2: 55,6 dB (A)	2: 31,7 dB (A)	2: 30,5 dB (A)	2: 27,2 dB (A)	
	3:	25 dB (A)	3: 58,5 dB (A)	3: 32,6 dB (A)	3: 31,3 dB (A)	3: 26,4 dB (A)	
	4:	25 dB (A)	4: 57,7 dB (A)	4: 34,3 dB (A)	4: 29,4 dB (A)	4: 26,8 dB (A)	
AVERAGE SOUND PRESSURE LEVEL		25 dB (A)	57,7 dB (A)	33,3 dB (A)	31,2 dB (A)	27 dB (A)	