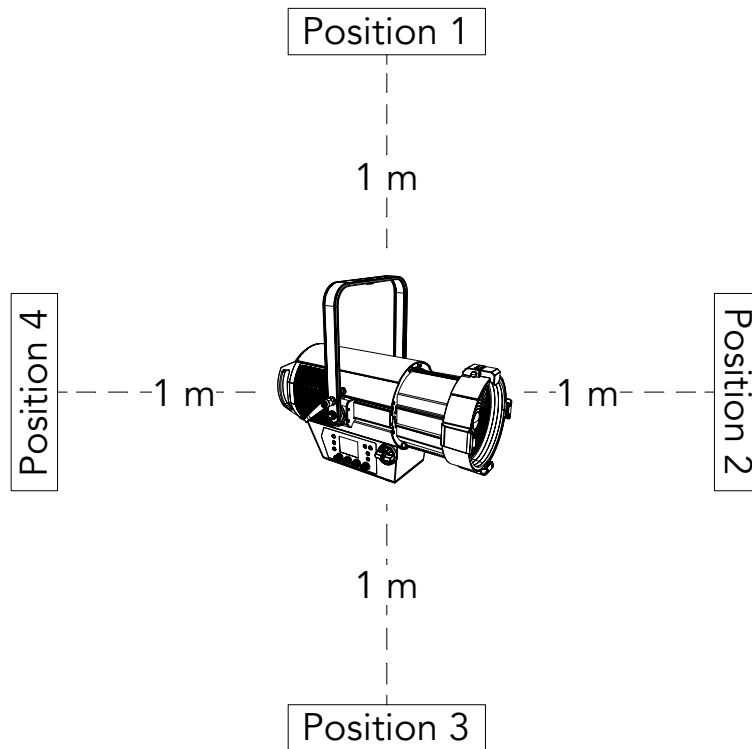


# ECLFRCT+ S

## NOISE TEST REPORT



AMBIENT NOISE		25 dB (A)		AMBIENT TEMPERATURE		26,3 °C	
LED OFF	FAN MODE						
		OFF	HIGH	AUTO	QUIET 1 CTO	QUIET 2 CTO	
	1:	25 dB (A)	46,6 dB (A)	31.9 dB (A)	30,2 dB (A)	25,6 dB (A)	
	2:	25 dB (A)	46,2 dB (A)	33.2 dB (A)	28,8 dB (A)	25,4 dB (A)	
	3:	25 dB (A)	46,4 dB (A)	30.4 dB (A)	30,1 dB (A)	25,7 dB (A)	
4:	25 dB (A)	46,7 dB (A)	30.2 dB (A)	29,8 dB (A)	25,3 dB (A)		
AVERAGE SOUND PRESSURE LEVEL		25 dB (A)	46,5 dB (A)	31.4 dB (A)	29,7 dB (A)	25,5 dB (A)	
LED FULL	1:	25 dB (A)	46,3 dB (A)	35.3 dB (A)	33,8 dB (A)	26,5 dB (A)	
	2:	25 dB (A)	45,6 dB (A)	33.1 dB (A)	30,5 dB (A)	27,9 dB (A)	
	3:	25 dB (A)	45,7 dB (A)	32.8 dB (A)	31,3 dB (A)	28,2 dB (A)	
	4:	25 dB (A)	46,5 dB (A)	31.5 dB (A)	29,4 dB (A)	27,1 dB (A)	
AVERAGE SOUND PRESSURE LEVEL		25 dB (A)	46 dB (A)	33.2 dB (A)	31,2 dB (A)	27,4 dB (A)	